

# Operation Instruction

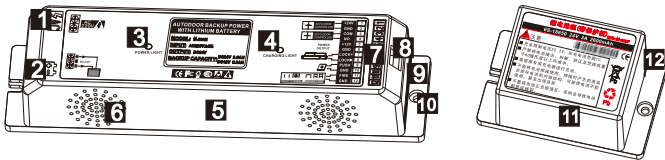
## M-236E Automatic door back-up power with lithium battery



### 1 Safety Instruction

Thanks so much for purchasing this product, please read this instruction before using.

### 2 Product overview



- |                                  |                     |                                      |
|----------------------------------|---------------------|--------------------------------------|
| 1 220V Power Input               | 5 Main Controller   | 9 Access line connector              |
| 2 lithium battery connector      | 6 louver *4pcs      | 10 Installation hole*2pcs            |
| 3 Power light                    | 7 Controller Wiring | 11 lithium battery                   |
| 4 lithium battery charging light | 8 discharge switch  | 12 lithium battery wiring connection |

### 3 Overall Characteristic

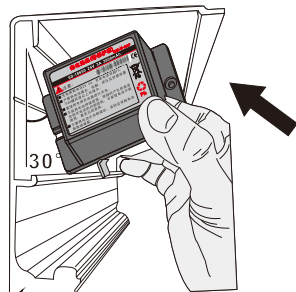
- Specially designed for automatic door back-up power. The power can help automatic door work normally once power off (open-close about **500 times**, around **7hours**), or keep door open automatically based on fire evacuation requirements.
  - Battery charge-discharge management by micro-computer. Have setting of quick charge, trickle charge and cut off the power automatically in low tension. The life time of battery is long.
- When lithium battery is working, blue light flicks**
- integrate with access power function, available for access control to connect with automatic door.

### 4 Installation and Adjustment

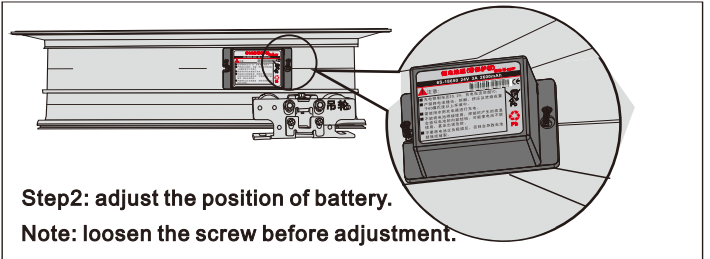
Note:

1. If want to extend the service time, please add one pcs of lithium battery when power failure happened.

2. Please put the battery into track in 30° incline



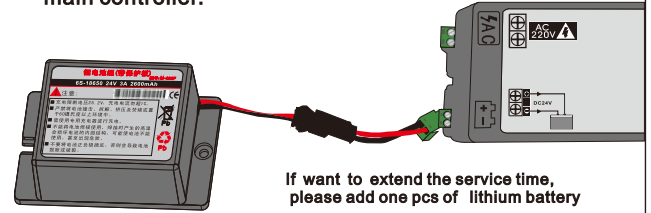
step1: Put the battery pack into guide rail, slipping to suitable position and fix by special screws.



Step2: adjust the position of battery.

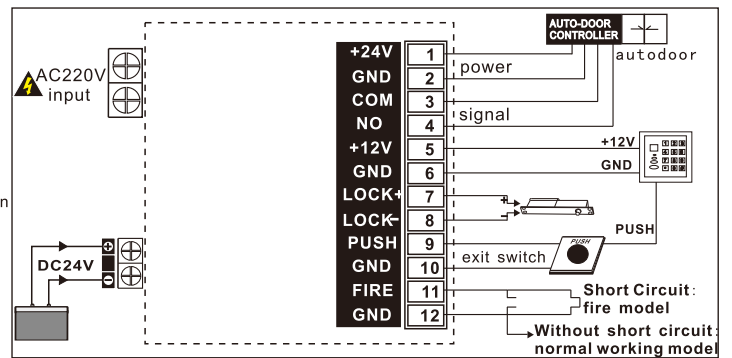
Note: loosen the screw before adjustment.

Step3: The connection between battery and main controller.



If want to extend the service time, please add one pcs of lithium battery

### 5 Wiring



### 6 Function setting

- Working mode: Normal working mode or fire model**
- BACKUP TO NORMAL** ▶ Working mode: FIRE and GND (NO short circuit)  
– Door work as normal once power failure.
- EMERGENCY OPEN** ▶ Fire model: FIRE and GND short circuit  
– Door keep open once power failure. (Battery will cut off automatically when door is open)

### 7 Note

- 2 kinds of wires of AC input: Live line and Zero line.
- Please connect two storage batteries in series to get DC24V.
- Please charge storage batteries up to 12hours before first using.
- Maintenance should be undertaken by professional maintainer.
- System will automatically be cut when the storage batteries low to certain voltage rated value

### 8 Parameter

Input Voltage:	AC220V, 50Hz
Output Voltage:	DC24V, 2.6AH; DC12V, 5.2AH
Working Mode:	Automatic working or keep opening
Indicator and Protect	Charging proceeding shown by LED.Low voltage will automatically cut.
charging time:	Around 10 hours
Open times:	About 550 times
Controller Dimension:	243 (L) × 59 (W) × 45 (H) mm
storage battery size:	96 (L) × 43 (W) × 55 (H) mm